

- NOTES:
1. INSTALLATION SHALL COMPLY WITH ALL APPLICABLE NATIONAL, STATE AND LOCAL CODES.
  2. SEE PRODUCT DOCUMENTATION FOR FURTHER INFORMATION
  3. UNLESS OTHERWISE SPECIFIED, ALL DIMENSIONS ARE IN INCHES[MILLIMETERS].
  4. NET WGT IS 16.25 lbs [7.39 kg]
  5. BRACKET KITS TO MOUNT SPECIFIC COMPETITOR RACKS ARE AVAILABLE AS OPTIONS.
  6. UNIVERSAL MOUNTING BRACKET IS AN ALTERNATIVE MOUNTING METHOD TO THE TOOLLESS MOUNT FOR NON SCHNEIDER ELECTRIC RACKS.

THIS DRAWING AND SPECIFICATIONS HEREIN ARE THE PROPERTY OF SCHNEIDER ELECTRIC AND SHALL NOT BE COPIED, REPRODUCED OR USED IN WHOLE OR IN PART, AS THE BASIS FOR THE MANUFACTURE OR SALE OF ITEMS WITHOUT WRITTEN PERMISSION FROM SCHNEIDER ELECTRIC. THIS DRAWING IS BASED UPON LATEST AVAILABLE INFORMATION AND IS SUBJECT TO CHANGE WITHOUT NOTICE.



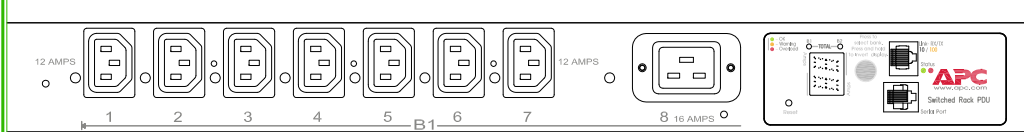
TITLE: RACK PDU, SWITCHED, ZERO U WITH DOUBLE POLE BREAKERS  
 INPUT: 200/208VAC, 30A MAX, NEMA L6-30P  
 OUTPUT: 208VAC, (21) IEC320 C13, (3) IEC320 C19  
 MECHANICAL LAYOUT  
 PROJECT: STD SUBMITTAL DRAWINGS SHEET 1 OF 3

DWG NO:	AP7941	REV:	3
DRAWN BY:	V BUSH	16-NOV-10	THIRD ANGLE PROJ
ENGINEER:	T HORSTMANN/Y JIANG	16-NOV-10	
APPROVED BY:	B SHERMAN/F DISSA/S WICK	16-NOV-10	

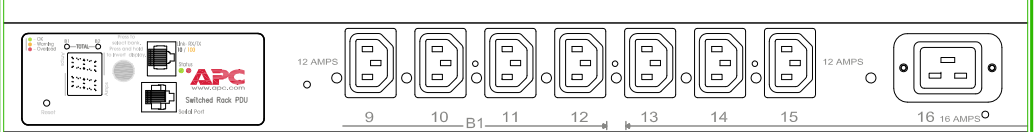
DOUBLE POLE  
CIRCUIT BREAKERS

ISOMETRIC VIEW  
SHOWN W/O DISPLAY INTERFACE  
OR  
INPUT POWER CORD

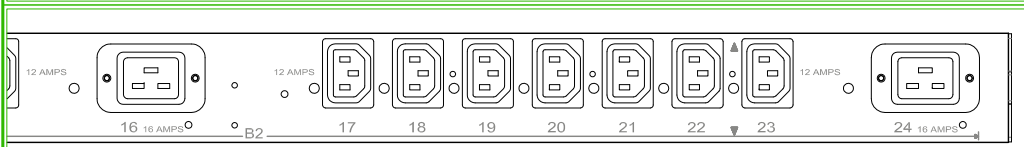
CORD RETENTION  
BRACKETS



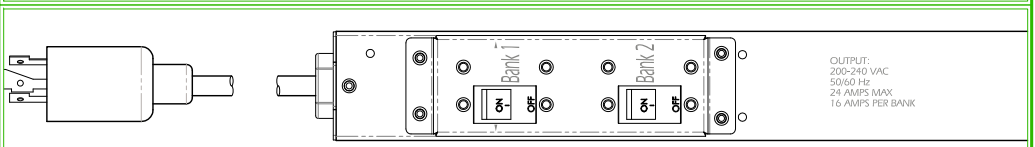
VIEW H - ENLARGED VIEW  
W/O CORD RETENTION BRACKET



VIEW J - ENLARGED VIEW  
W/O CORD RETENTION BRACKET



VIEW K - ENLARGED VIEW  
W/O CORD RETENTION BRACKET



VIEW L - ENLARGED VIEW  
W/O CORD RETENTION BRACKET

OUTPUT:  
200-240 VAC  
50/60 Hz  
24 AMPS MAX  
16 AMPS PER BANK

NOTES:  
1. SEE SHEET 1.

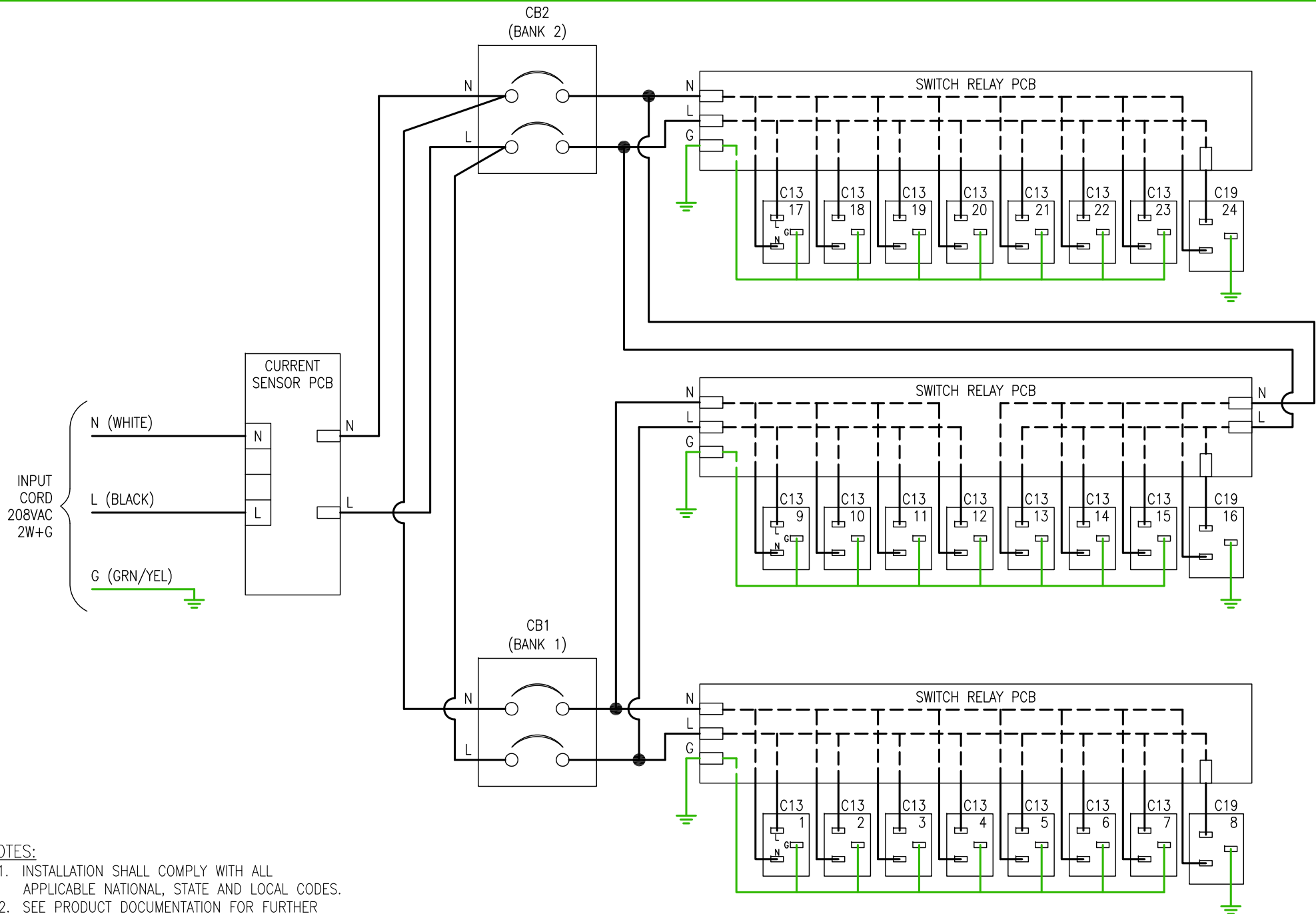
THIS DRAWING AND SPECIFICATIONS HEREIN ARE THE PROPERTY OF SCHNEIDER ELECTRIC AND SHALL NOT BE COPIED, REPRODUCED OR USED IN WHOLE OR IN PART, AS THE BASIS FOR THE MANUFACTURE OR SALE OF ITEMS WITHOUT WRITTEN PERMISSION FROM SCHNEIDER ELECTRIC. THIS DRAWING IS BASED UPON LATEST AVAILABLE INFORMATION AND IS SUBJECT TO CHANGE WITHOUT NOTICE.



TITLE: RACK PDU, SWITCHED, ZERO U WITH DOUBLE POLE BREAKERS  
INPUT: 200/208VAC, 30A MAX, NEMA L6-30P  
OUTPUT: 208VAC, (21) IEC320 C13, (3) IEC320 C19  
ISOMETRIC VIEW  
PROJECT: STD SUBMITTAL DRAWINGS SHEET 2 OF 3

DWG NO: AP7941  
DRAWN BY: V BUSH 16-NOV-10  
ENGINEER: T HORSTMANN/Y JIANG 16-NOV-10  
APPROVED BY: B SHERMAN/F DIOSA/S WACH 16-NOV-10

REV. 3  
THIRD ANGLE PROJ



**NOTES:**

1. INSTALLATION SHALL COMPLY WITH ALL APPLICABLE NATIONAL, STATE AND LOCAL CODES.
2. SEE PRODUCT DOCUMENTATION FOR FURTHER INFORMATION
3. DRAWING DEPICTS POWER SYSTEM CONNECTIONS AND IS NOT REPRESENTATIVE OF PHYSICAL LAYOUT, PLEASE REFER TO MECHANICAL DRAWINGS FOR PHYSICAL LAYOUT.
4. OUTLETS 1-12 ARE CONNECTED TO CB1  
OUTLETS 13-24 ARE CONNECTED TO CB2.

THIS DRAWING AND SPECIFICATIONS HEREIN ARE THE PROPERTY OF SCHNEIDER ELECTRIC AND SHALL NOT BE COPIED, REPRODUCED OR USED IN WHOLE OR IN PART, AS THE BASIS FOR THE MANUFACTURE OR SALE OF ITEMS WITHOUT WRITTEN PERMISSION FROM SCHNEIDER ELECTRIC. THIS DRAWING IS BASED UPON LATEST AVAILABLE INFORMATION AND IS SUBJECT TO CHANGE WITHOUT NOTICE.



TITLE: RACK PDU, SWITCHED, ZERO U WITH DOUBLE POLE BREAKERS  
 INPUT: 200/208VAC, 30A MAX, NEMA L6-30P  
 OUTPUT: 208VAC, (21) IEC320 C13, (3) IEC320 C19  
 ELECTRICAL SCHEMATIC

PROJECT: STD SUBMITTAL DRAWINGS SHEET 3 OF 3

DWG NO: AP7941 REV. 1

DRAWN BY: V BUSH	16-NOV-10	PROJ ANGLE N.A.
ENGINEER: T HORSTMANN/Y JIANG	16-NOV-10	
APPROVED BY: B SHERIDAN/F DOSA/S WACH	16-NOV-10	